

# IDS-3115

## 15" XGA Industrial Open Frame Monitor

**NEW**



### Features

- 15" XGA LCD panel with LED backlight for 20% power saving and environmental protection
- -20° C ~ +60° C wide range operating temperature
- 5-wire resistive touch screen solution
- Combo touch interface of RS232 and USB
- Dual signal interface with VGA & DVI
- Integrated bracket for easy installation
- Versatile mounting methods for rear mounting and VESA mounting
- Sunlight readable solution (optional)
- Ultra high brightness solution of 1200nits for outdoor application (optional)

### Introduction

The Advantech IDS-3115 Embedded Open Frame Monitor series offers flexible options for LCD, touchscreen, signal interface and chassis mounting. The series supports rear and VESA mounting. The integrated brackets bring the benefits of easy installation and provide flexibility for different applications.

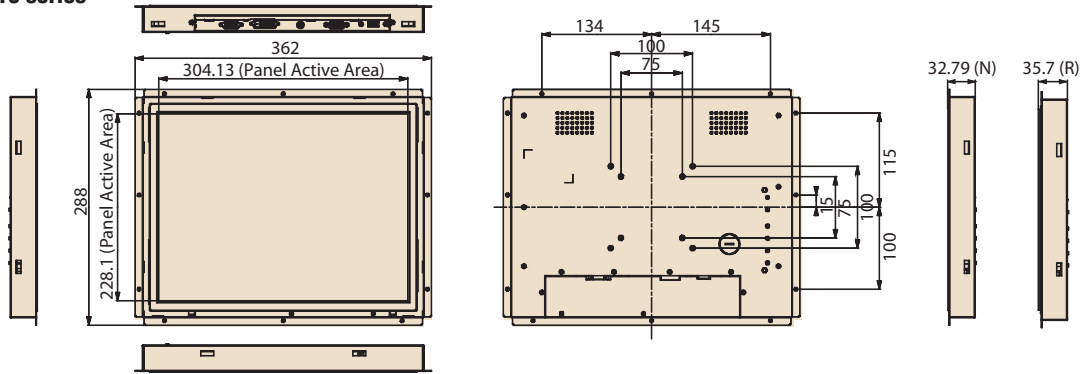
### Specifications

Display	Model	IDS-3115	IDS-3115E
	Size	15" LED panel	15" CCFL panel
	Resolution	1024 x 768 (XGA)	1024 x 768 (XGA)
	Viewing Angle	80°/80° (H), 70°/70° (V)	80°/80° (H), 80°/80° (V)
	Brightness	400 (cd/m <sup>2</sup> )	250 (cd/m <sup>2</sup> )
	Color Support	16.7M / 262K colors	16.7M / 262K colors
	Contrast Ratio	700:1	600:1
	Response Time	25 [msec]	8 [msec]
	Backlight Life (hrs)	50,000 hrs	40,000 hrs
Touchscreen	T/S Type	5-Wire Resistive Touch Screen	
	Surface Hardness	3H	
	Durability	10 million touches	
Environment	Operating Temperature	-20 ~ 60° C (-4 ~ 140° F)	0~ 45° C (32 ~ 113° F)
	Storage Temperature	-30 ~ 70° C (-22 ~ 158° F)	-20 ~ 60° C (-4 ~ 140° F)
	Humidity	5 ~ 95% @ 40° C, non-condensing	
	Vibration	5-500Hz, 0.026G <sup>2</sup> /Hz, 2.16Grms, X, Y, Z 1 hour per axis	
System	IO	IDS-3115	VGA x 1; DVI-D x 1; 12 V <sub>DC</sub> Jack x 1; USB x1; RS-232 x 1 (USB & RS-232 are reserved for the connection to enable touch usage only)
		IDS-3115E	VGA x 1; 12 V <sub>DC</sub> Jack x 1; USB x1; RS-232 x 1 (USB & RS-232 are reserved for the connection to enable touch usage only)
	OSD	IDS-3115	Keys: Menu, Up, Down, Auto Adjust, Monitor Power on/off Menu Functions: Brightness, Contrast, Screen Settings, Color Temp, Language OSD Settings, VGA/ DVI , Recall , Auto Adjust
		IDS-3115E	Keys: Menu, Up, Down, Auto Adjust, Monitor Power on/off Menu Functions: Brightness, Contrast, Color Adjust, Color Temp, Auto Color
	Power	60 W power adapter, with AC 100 ~ 240 V input and DC +12 V @ 5 A output	
EMC Compliance	CE/FCC/CCC		

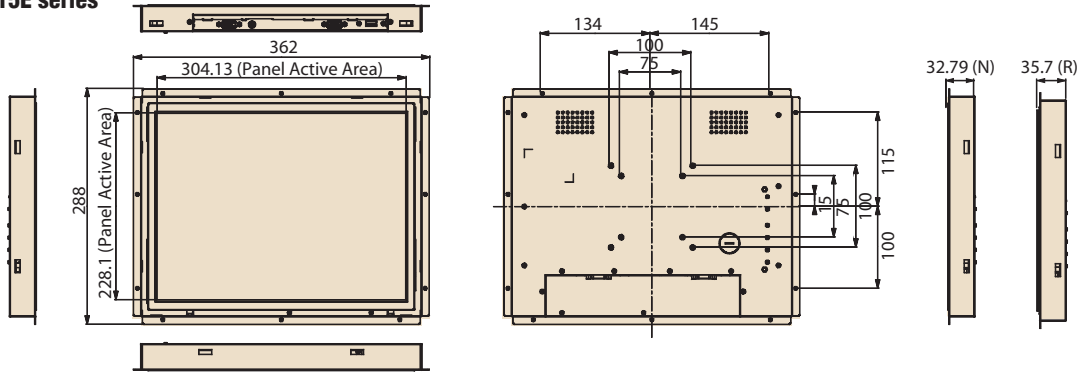
## Dimensions

Unit: mm

### IDS-3115 series



### IDS-3115E series



## Packing List

Part Number	Description
1700002215	1 x M Cable USB-A(M)/USB-A(M) 180CM
1700151801	1 x VGA cable 15P(M) 1.8 meter
1962055040	8 x Clamper
1935042520	8 x Screw of clamper M4_25L
1992610005	1 x Cable clamp
1933030500	1 x Screw of cable clamp
1992602010	1 x Cable tie
2066S31100	1 x CD-ROM for IDS-3115 Series

\* USB Cable is only included in IDS-3115R and IDS-3115ER series.

Note: Package contents are subject to change without prior notice

## Optional Items

Part Number	Description
1702002600	Power Cord 3P (USA)
1700000596	Power Cord 3P (China)
1700018705	Power Cord 3P (EU)
1757003062	ADAPTER AC100-240V 60W +12V/5A DPS-60PB A
1700000243	DVI cable 2.0 meter
1700091800	CABLE 9P/9P 1.8M M/F (T/S RS-232 Cable)

## Ordering Information

Model Name	Description
IDS-3115N-40XGA1E	15" XGA 400nits LED Open Frame Monitor
IDS-3115R-40XGA1E	15" XGA 400nits LED Touch Open Frame Monitor
IDS-3115EN-25XGA1E	15" XGA 250nits CCFL Open Frame Monitor
IDS-3115ER-25XGA1E	15" XGA 250nits CCFL Touch Open Frame Monitor